

Astra Wash19Pix - 7Pix

high-performing characteristics

Astra Wash19Pix

19x40W RGBW moving wash light with 4°-54° zoom, pixel control and pixel ring

ORDER CODE: **ASTRAWASH19PIX**



19x40W RGBW
Osram Ostar
LEDs



4° - 54°
motorised
linear zoom



Virtual colour
wheel with
macros



RGB pixel ring
with several built
in FX macros



Pre-programmed
dynamic and static
pixel patterns



linear crossfade
channel from
any white to
any colour



foreground/
background
colour, index,
speed, direction



Pan/Tilt
resolution:
16bit



linear 0~100%
electronic
dimmer



RDM - DMX -
WDMX - SACN
ART-NET -
KLINGNET

Astra Wash19Pix is an LED moving wash light, designed to be a workhorse for any touring, corporate and event applications, offering a superior level of brightness and advanced creative effect possibilities. Based on a 40W Osram RGBW LED light source, plus the exterior pixel ring, this unit features an extremely high-efficiency optical system capable of zooming from 4° to 54°, making this luminaire extremely versatile for any application. **Astra Wash19Pix** is single pixel controllable, with multiple on-board FX, and allows access to a precise and advanced white and colour control, all through DMX, W-DMX, Art-Net, sACN, Kling-Net and RDM.

TECHNICAL SPECIFICATION

LIGHT SOURCE

- Source: 19x40 W RGBW Osram Ostar LEDs
- Luminous flux: (4°) 5'505 lm - (54°) 10'143 lm @full
- Lux: (4°) 45'146 lx - (54°) 1174 lx @5 m full
- Other: outer RGB pixel ring with frost film
- Source life expectancy: > 50.000 h

OPTICS

- Zoom: 4° - 54° motorised linear zoom
- Lens type: honeycomb gapless plano-convex optics
- Additional optics: diffuser on outer pixel ring

COLOUR SYSTEM

- Colour mixing: RGBW / FC
- CCT: CCT control, + / - green correction, tungsten emulation
- White presets: 2.800 K ~ 10.000 K
- Colour wheel: virtual colour wheel with macros
- Macros: several pre-built pixel macros with adjustable speed

DYNAMIC EFFECTS

- Control Resolution: 16-bit dimmer, colours
- Pixel patterns: pre-programmed dynamic and static patterns
- FX generator: adjustable foreground/background colour, index, speed, direction
- Special features: outer RGB, pixel ring with several built in FX macros and linear crossfade channel from any white to any colour; virtual CTO on colours

BODY

- Hardware on-board: sockets for quick-Lock Omega bracket (clamp not included)
- Pan angle: 540°
- Tilt angle: 233°
- Feedback: automatic repositioning after accidental movement
- Body: aluminium structure with high-resistance polycarbonate cover
- Body colour: RAL 9004

CONTROL

- Protocols: DMX512, RDM, Art-Net, Klingnet, sACN, W-DMX
- DMX channels: main personality 29 / 32 / 53 channel
- Pixel control: OFF, ring and pixel2pixel
- Wireless Control: included, Wireless Solution transceiver
- RDM: RDM for remote monitoring and settings
- Display: LCD high resolution colour display with autoflip
- Firmware upgrade: yes, via USB - DMX interface (UPBOX2) not included

ELECTRONICS

- Dimmer: linear 0 ~ 100% electronic dimmer
- Dimmer curves: 4 selectable dimming modes available
- Strobe / shutter: 1 - 30 Hz, electronic
- Display battery: self-charging battery backup
- Operating temperature: -10° ~ +45°
- LED Control: flicker free operation
- Selectable PWM: 600 ~ 50.000 Hz

ELECTRICAL

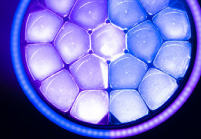
- Mains power supply: 100-240V - 50/60Hz
- Max power consumption: 620 W
- Output (at 230V): 4 units on a single power line
- Power factor: > 0,95

PHYSICAL

- IP rating: 20
- Cooling: forced air with fan
- Suspension and fixing: any position with quick-lock omega brackets
- Pan / tilt lock: for transportation and maintenance
- Signal connection: Amphenol XLR 5p IN/OUT connectors
- Data connection: Neutrik Art-Net RJ45 IN/OUT
- Power connection: Neutrik powerCON TRUE1 IN/OUT connectors
- Dimensions (WxHxD): 410x514x250 mm
- Weight: 17,4 kg

CERTIFICATIONS / APPROVALS

- Certifications / Approvals: CE, UKCA, RCM, cTUVus, FCC



Astra Wash7Pix - 19Pix

augmented pixel mapping performance and colour control



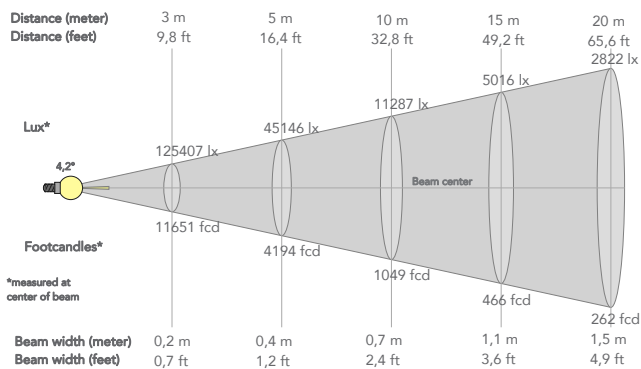
Astra Wash19Pix

PHOTOMETRICS

PRESET FULL ON

Beam angle 50%: 4°

Beam angle 50%	Field angle 10%	Cut off angle 2,5%	Intensity ratio in 120° cone	Intensity ratio in 90° cone
4,2°	6,3°	7,1°	100,0%	100,0%



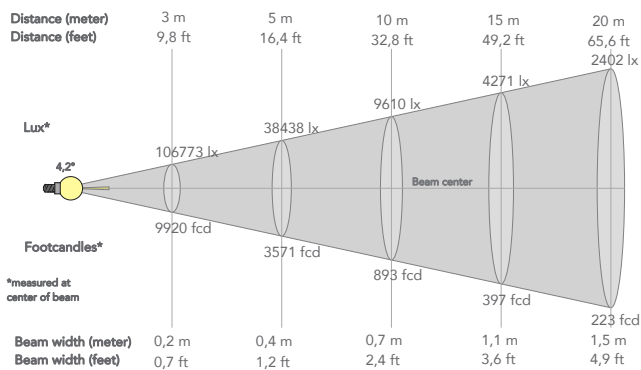
BEAM INTENSITIES AND WIDTHS

Distance	1m	2m	3m	4m	5m	7,5m	10m	15m	20m	25m	30m	40m	50m
Distance	3,3ft	6,6ft	9,8ft	13,1ft	16,4ft	24,6ft	32,8ft	49,2ft	65,6ft	82ft	98,4ft	131,2ft	164ft
Lux	1128662lx	282166lx	125407lx	70541lx	45146lx	20065lx	11287lx	5016lx	2822lx	1806lx	1254lx	705lx	451lx
Footcand.	104856fcd	26214fcd	11651fcd	6554fcd	4194fcd	1864fcd	1049fcd	466fcd	262fcd	168fcd	117fcd	66fcd	42fcd
Beam wid.	0,1m	0,1m	0,2m	0,3m	0,4m	0,6m	0,7m	1,1m	1,5m	1,9m	2,2m	3m	3,7m
Beam wid.	0,2ft	0,5ft	0,7ft	1ft	1,2ft	1,8ft	2,4ft	3,6ft	4,9ft	6,1ft	7,3ft	9,7ft	12,2ft

PRESET 4.000 K

Beam angle 50%: 4°

Beam angle 50%	Field angle 10%	Cut off angle 2,5%	Intensity ratio in 120° cone	Intensity ratio in 90° cone
4,2°	6,3°	7,3°	100,0%	100,0%



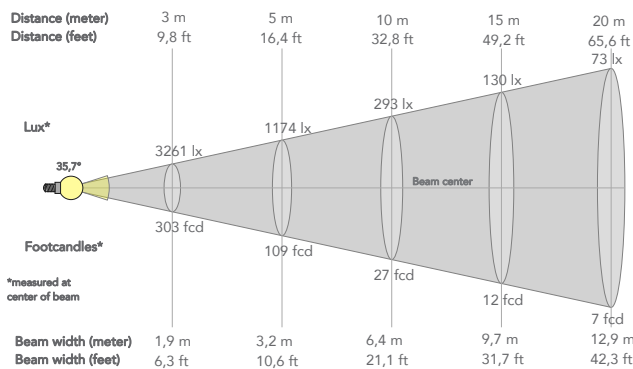
BEAM INTENSITIES AND WIDTHS

Distance	1m	2m	3m	4m	5m	7,5m	10m	15m	20m	25m	30m	40m	50m
Distance	3,3ft	6,6ft	9,8ft	13,1ft	16,4ft	24,6ft	32,8ft	49,2ft	65,6ft	82ft	98,4ft	131,2ft	164ft
Lux	960954lx	240239lx	106773lx	60060lx	38438lx	17084lx	9610lx	4271lx	2402lx	1538lx	1068lx	601lx	384lx
Footcand.	89276fcd	22319fcd	9920fcd	5580fcd	3571fcd	1587fcd	893fcd	397fcd	223fcd	143fcd	99fcd	56fcd	36fcd
Beam wid.	0,1m	0,1m	0,2m	0,3m	0,4m	0,6m	0,7m	1,1m	1,5m	1,9m	2,2m	3m	3,7m
Beam wid.	0,2ft	0,5ft	0,7ft	1ft	1,2ft	1,8ft	2,4ft	3,6ft	4,9ft	6,1ft	7,3ft	9,7ft	12,2ft

PRESET FULL ON

Beam angle 50%: 54°

Beam angle 50%	Field angle 10%	Cut off angle 2,5%	Intensity ratio in 120° cone	Intensity ratio in 90° cone
35,7°	53,9°	62,2°	100,0%	100,0%



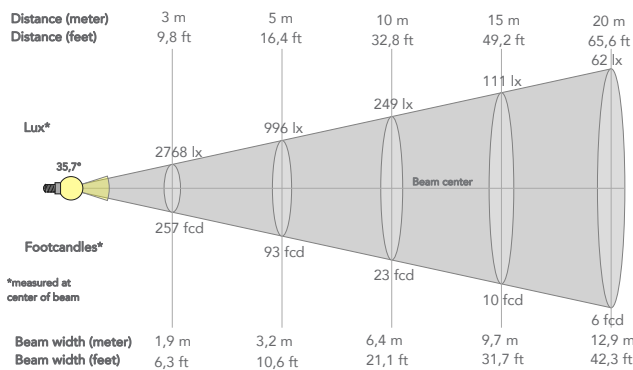
BEAM INTENSITIES AND WIDTHS

Distance	1m	2m	3m	4m	5m	7,5m	10m	15m	20m	25m	30m	40m	50m
Distance	3,3ft	6,6ft	9,8ft	13,1ft	16,4ft	24,6ft	32,8ft	49,2ft	65,6ft	82ft	98,4ft	131,2ft	164ft
Lux	29348lx	7337lx	3261lx	1834lx	1174lx	522lx	293lx	130lx	73lx	47lx	33lx	18lx	12lx
Footcand.	2726fcd	682fcd	303fcd	170fcd	109fcd	48fcd	27fcd	12fcd	7fcd	4fcd	3fcd	2fcd	1fcd
Beam wid.	0,6m	1,3m	1,9m	2,6m	3,2m	4,8m	6,4m	9,7m	12,9m	16,1m	19,3m	25,8m	32,2m
Beam wid.	2,1ft	4,3ft	6,3ft	8,4ft	10,6ft	15,9ft	21,1ft	31,7ft	42,3ft	52,9ft	63,4ft	84,6ft	105,7ft

PRESET 4.000 K

Beam angle 50%: 56°

Beam angle 50%	Field angle 10%	Cut off angle 2,5%	Intensity ratio in 120° cone	Intensity ratio in 90° cone
35,7°	53,7°	62,3°	100,0%	100,0%



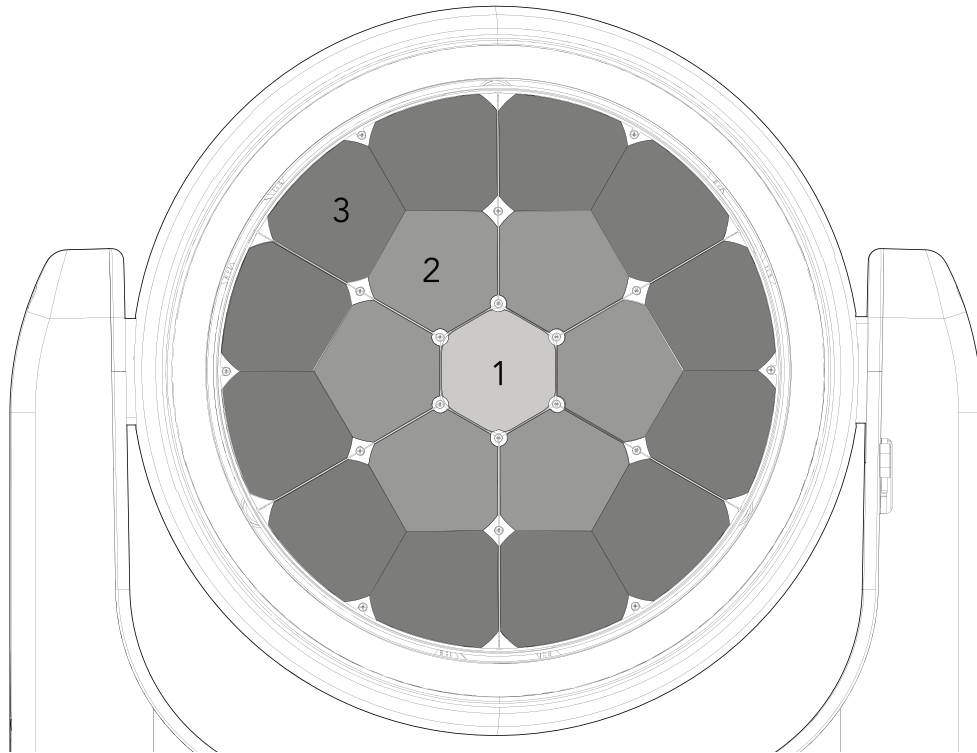
BEAM INTENSITIES AND WIDTHS

Distance	1m	2m	3m	4m	5m	7,5m	10m	15m	20m	25m	30m	40m	50m
Distance	3,3ft	6,6ft	9,8ft	13,1ft	16,4ft	24,6ft	32,8ft	49,2ft	65,6ft	82ft	98,4ft	131,2ft	164ft
Lux	24908lx	6227lx	2768lx	1557lx	996lx	443lx	249lx	111lx	62lx	40lx	28lx	16lx	10lx
Footcand.	2314fcd	578fcd	257fcd	145fcd	93fcd	41fcd	23fcd	10fcd	6fcd	4fcd	3fcd	2fcd	1fcd
Beam wid.	0,6m	1,3m	1,9m	2,6m	3,2m	4,8m	6,4m	9,7m	12,9m	16,1m	19,3m	25,8m	32,2m
Beam wid.	2,1ft	4,3ft	6,3ft	8,4ft	10,6ft	15,8ft	21,1ft	31,7ft	42,3ft	52,8ft	63,4ft	84,5ft	105,7ft

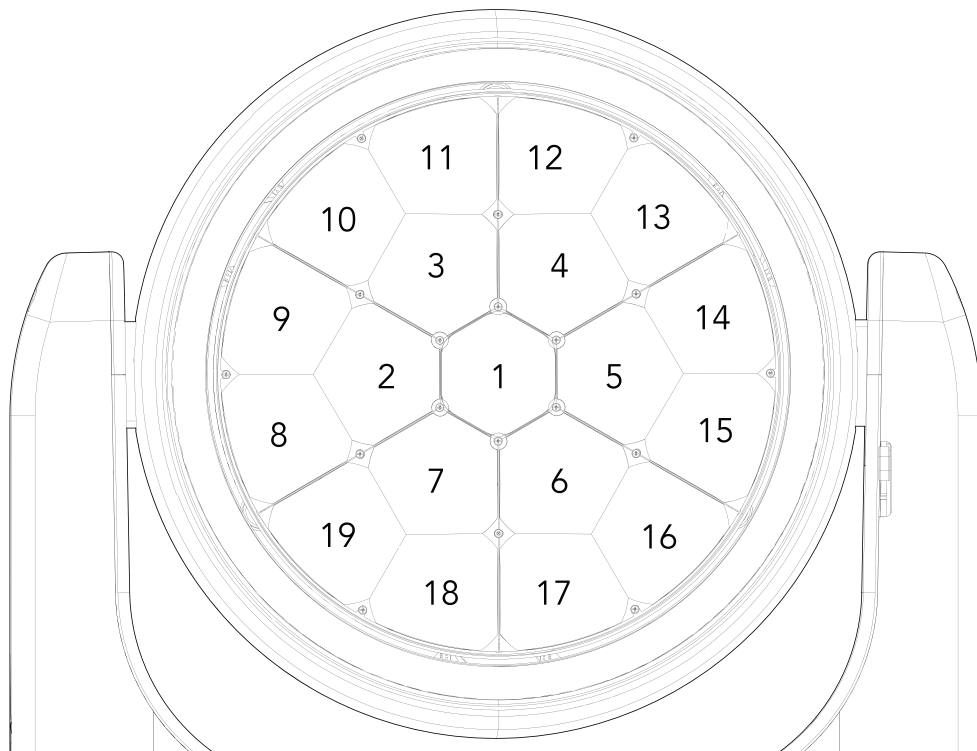
Astra Wash19Pix

LAYOUT

SECTION LAYOUT



PIXEL LAYOUT



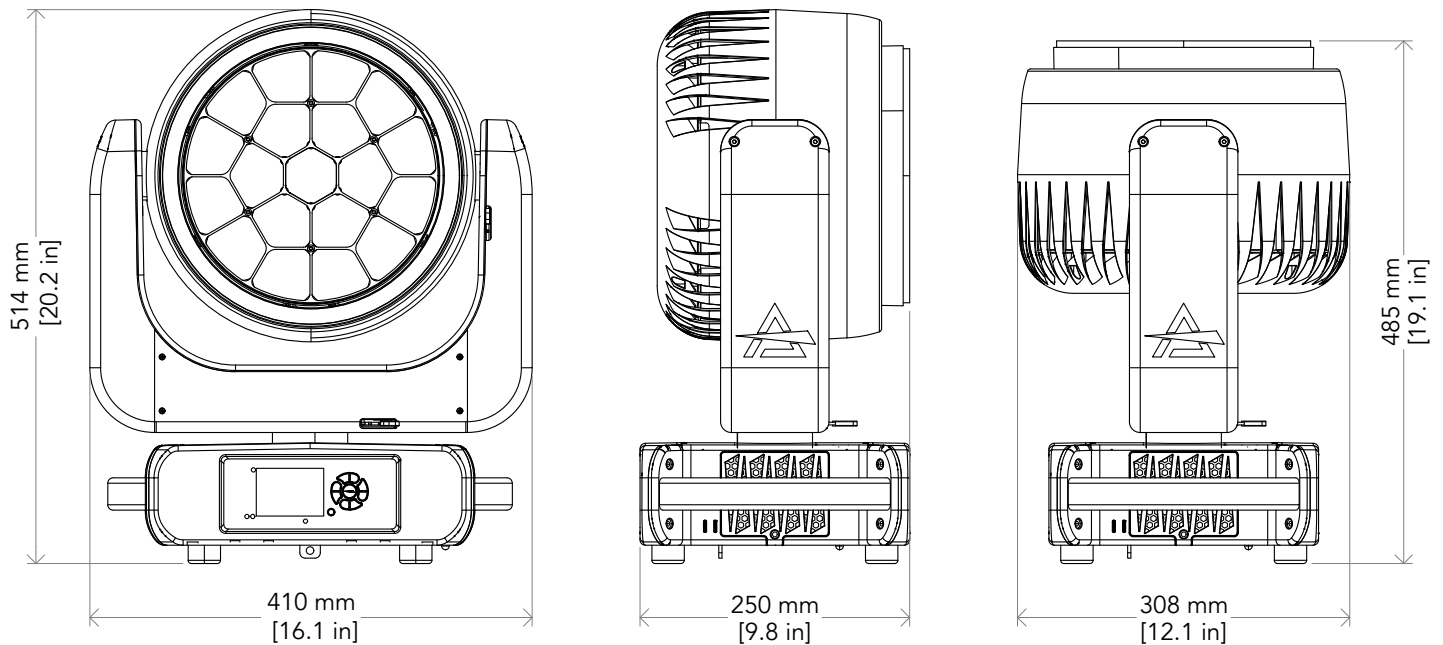
Astra Wash19Pix

ACCESSORIES

- 9513FXWL03 Ass. 3x2.5mm TH07 cable, 16A 3p 230V CEE plug, MENAC3FXW socket, L.3 m
- 9533FXWL03 Ass. 3x2.5mm TH07 cable, SHUKO plug, MENAC3FXW socket, L.3m
- 958225L03 3x2.5mm TH07 Cable, 16A 3p PwCon MXW, 16A 3p PwCon FXW, L. 3m
- C6002B Slim aluminum clamp, 200kg loading, 48-51mm tubes, M10 bolt, Black
- FCLAstrAW19PIX Flight case for 4 pcs of ASTRAWASH19PIX
- RSR0630B Steel security cable for hanging bodies, inox steel shackle, L=60 cm, black
- TOUR53415L03 Dmx cable HC5340. CANC5MXX XLR 5p->CANC5FXX XLR (f) 5p, L.3m
- WSBBF1G5 BlackBox F-1 G5 transmitter, 2,45GHz & 5.2/5,8 GHz, DMX/RDM, 512Ch
- WSBBF1G6 BlackBox F-1 G6 transrec, 512ch, 2.45GHz, DMX&RDM,Bluetooth,G3,G4,G4S, G5, CRMX
- WSBBR512G5 BlackBox R-512 G5 receiver 512Ch, 2.45GHz & 5.8GHz, DMX/RDM optional
- WSBBR512G6 BlackBox R-512 G6 receiver 512Ch, 2.45GHz,DMX&RDM,Bluetooth,G3,G4,G4S,G5,CRMX
- ASTRAW19PEC Egg Crate for ASTRAWASH19PIX
- OS24 Quick-lock omega bracket.
- UPBOX2 Firmware uploader kit, USB IN, 3-pin XLR DMX OUT

Astra Wash19Pix

TECHNICAL DRAWINGS



WEIGHT: 17,4 kg / 38.36 lb

PACKAGE CONTENT

- 1 x ASTRAWASH7PIX
- 1 x 1,5 meters power cable (SCHUKO plug - NEUTRIK POWERCON TRUE1 IP65)
- 1 x OS24
- User Manual

CERTIFICATIONS / APPROVALS



Conforms to UL STD. 1573
Certified to CSA STD: C22.2 NO. 166

Visit our website
for specifications and
tech documentations

